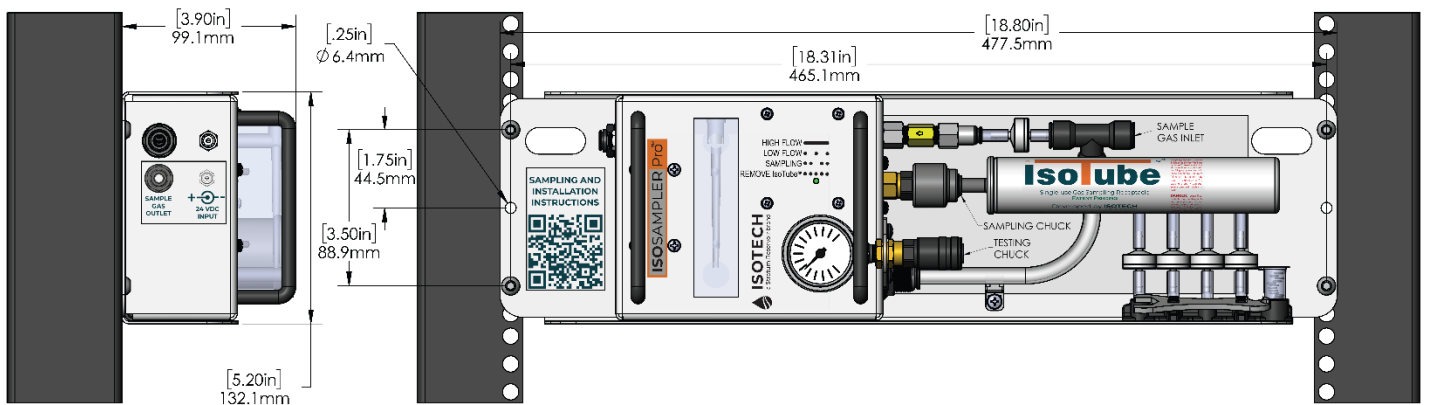
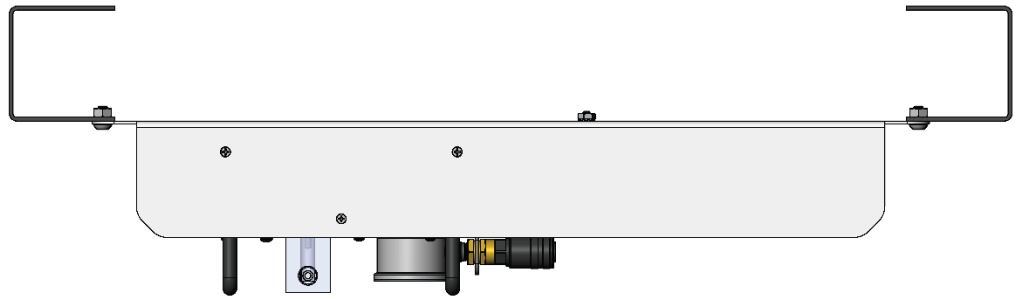


IsoSampler Pro™ Specifications and Installation Guide

Dimensions

- Mounting Holes: 6 x \varnothing 6.35 mm (\varnothing 0.25")
- Overall Width: 477.5 mm (18.8")
- Overall Height: 132.1 mm (5.2")
- Overall Depth: 99.10 mm (3.9in)
- Rack Units: 3 RU

Top View – Rack Mount



Side View

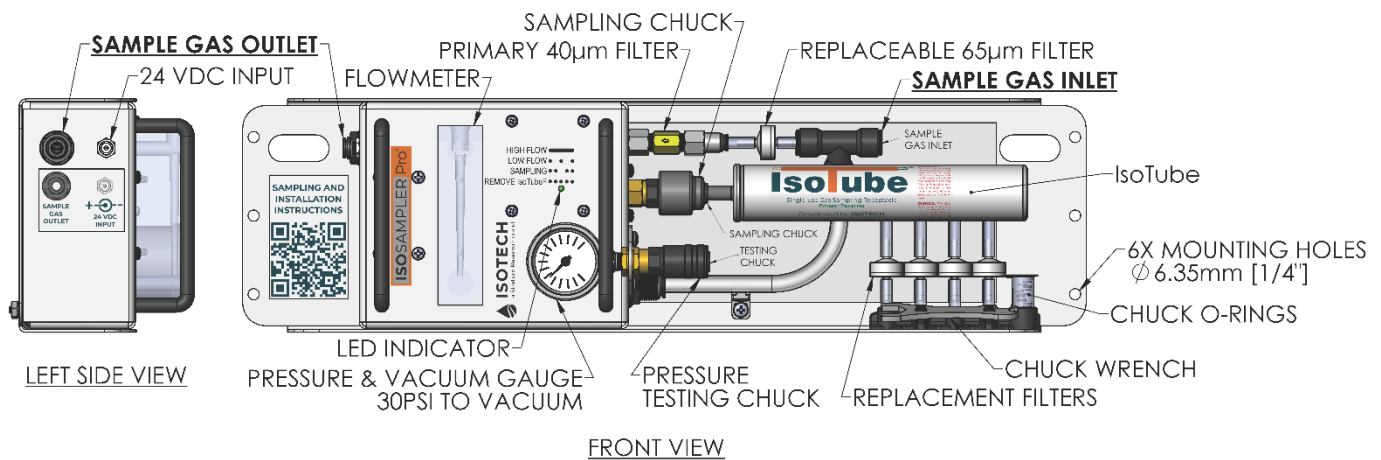
Front View

Specifications

- AC Power Requirements: one NEMA 1-15 or NEMA 5-15 outlet, 90-240 VAC at 1 A max.
- Power Input: 5.5 mm OD x 2.5 mm center-positive barrel jack, 24 VDC at 200 mA max.
- Mounting Options: Wall mount or standard 19" rack mount (3 rack units).
- Flow Connections: SAMPLE GAS INPUT and SAMPLE GAS OUTPUT, ¼" poly line.
 - Connection Type: ¼" push-to-connect.
- Minimum Gas Flow Rate: 140 mL/min

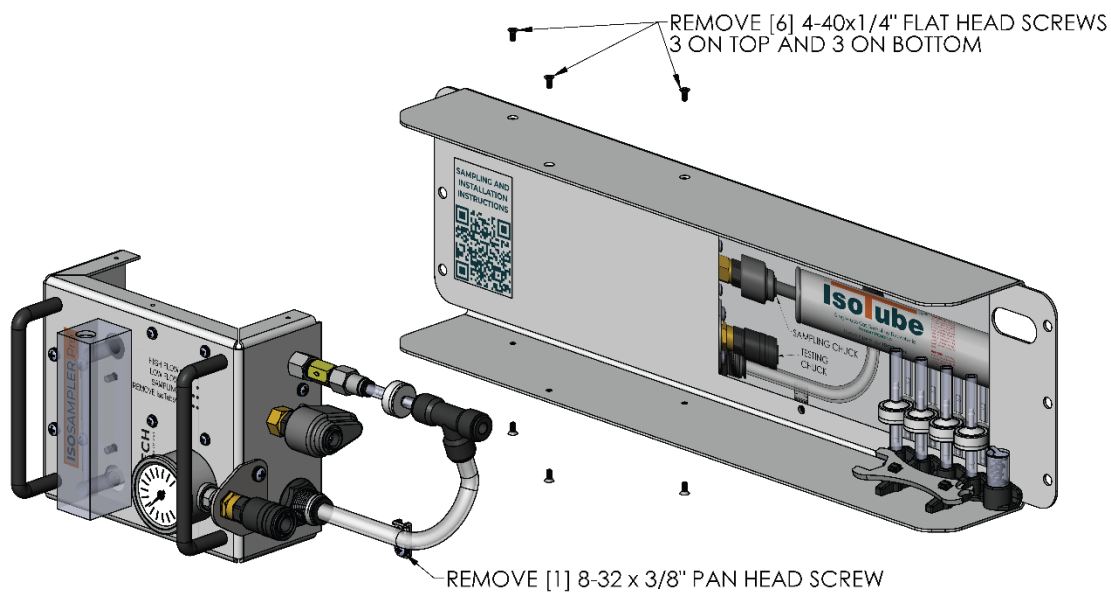
Hardware Included

- AC to DC power supply
- Mounting hardware for rack mount
 - 4x M6 x 10 mm screws
 - 4x M6 hex nuts
- 4x wood screws for wall mount
- Spare parts kit:
 - Replacement 65 µm filters
 - Replacement o-rings for chuck assembly
 - Chuck wrench tool

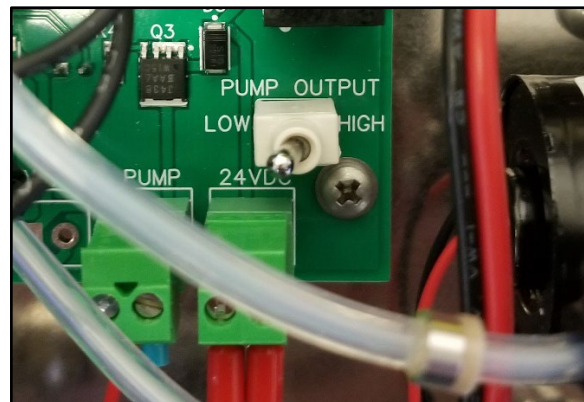


Selecting the Pump Output Setting

- The IsoSampler Pro has two pump output settings. **Make sure you have selected the correct pump output setting for your gas flow rate prior to taking a sample, or your samples may be compromised.**
 - If your gas flow rate is below 300 mL/min, you need the pump output to be switched to the **low-flow setting**. If you just purchased your IsoSampler Pro, the factory default setting is low-flow, and you may skip this step.
 - If your gas flow rate is 300 mL/min or greater, you should use the **high-flow setting**.
- Remove the fasteners as shown:



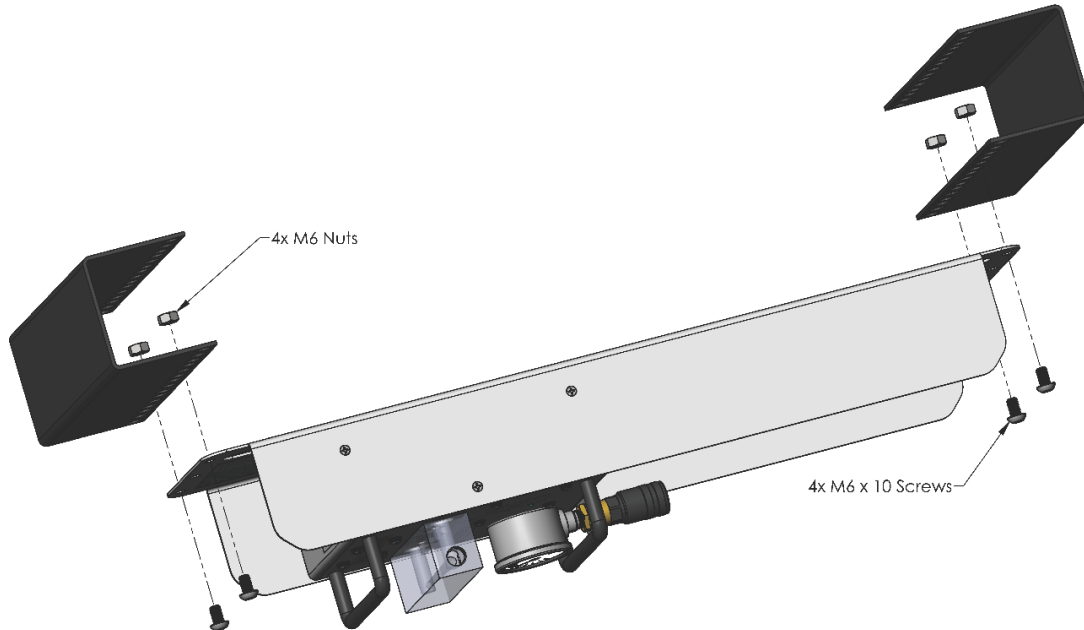
- Once the back panel has been removed, find the PUMP OUTPUT switch. Shown below is the factory default setting for LOW-FLOW. Push the toggle lever to the right to select HIGH-FLOW.



- Once the pump output setting has been selected, reverse the disassembly process.

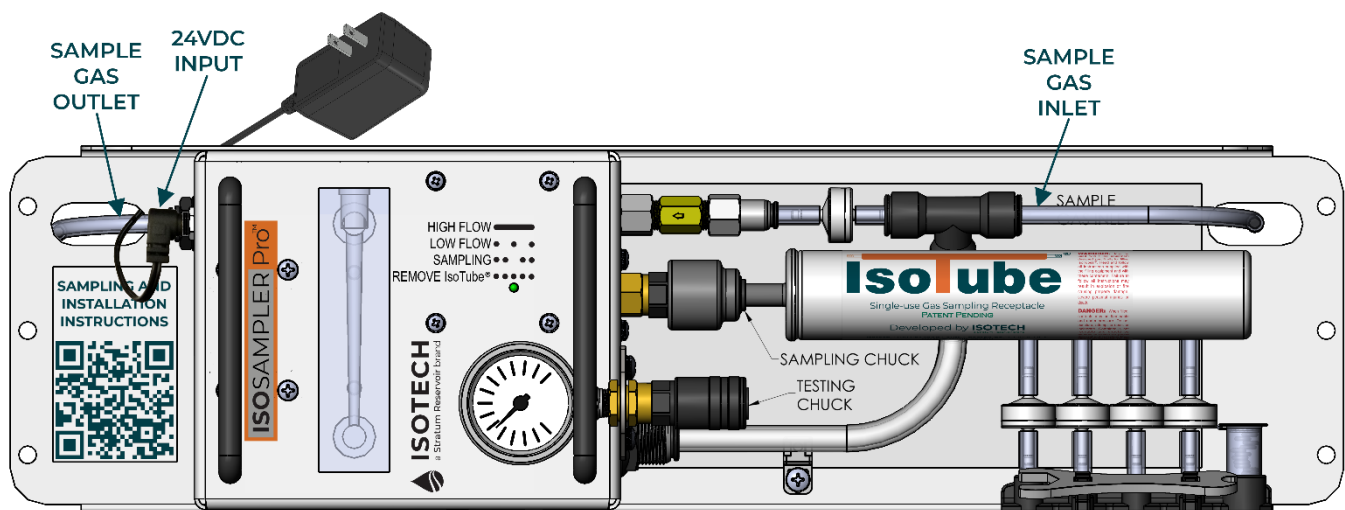
Mounting the IsoSampler Pro

To rack mount the IsoSampler Pro, use the supplied M6 x 10mm screws and the M6 nuts as shown below. The IsoSampler Pro may also be wall mounted using the supplied wood screws.



Connecting the sample flow lines and the 24 VDC power

- Connect the sample gas inlet and outlet lines as shown below.
- Connect the power supply barrel jack to the left side of the IsoSampler Pro as shown.
- Connect the power supply to a NEMA 1-15 or NEMA 5-15 outlet.



Scan the QR code on the IsoSampler Pro for more information about the setup, mounting and configuration of the IsoSampler Pro.